

## Surface mounted downlighters ABDF 330 ... RP for compact fluorescent lamps, with prismatic disc

**Luminaire housing:** Rigid aluminium luminaire housing made from a single piece. Particularly scratchproof white powder coating.

**Prismatic disc RP:** Highly transparent, moulded Plexiglas disc with concentrically arranged prismatic rings. Fixed using a fastening screw positioned centrally in the reflector.

**Electrical equipment:**

- Low-loss ballasts (VVG), 230 V, 50 Hz or with electronic ballasts (EVG) 220-240 V, 0/50-60 Hz
- Radio interference suppression in accordance with EC directives
- Prepared for parallel power factor correction with accessory 0207700
- Connector block 5x2.5 mm<sup>2</sup>

**Mounting:**

The luminaire is designed for individual ceiling mounting. Simple single handed mounting. Screws and other fastening material are to be provided on site.

**Application:**

The round shape of the luminaire blends ideally into any room shape. The shape of the luminaire body makes the luminaire appear to float beneath the ceiling.

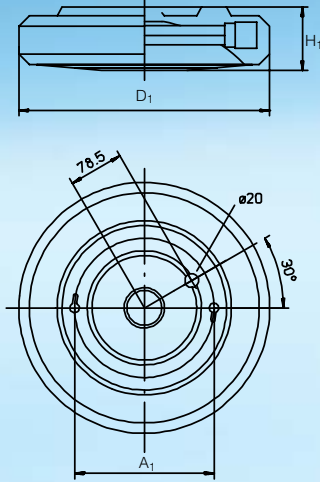
The different lamp variants with their relatively high rated outputs make this luminaire ideally suited for illuminating work rooms, offices, sales showrooms, recreation rooms, waiting rooms, foyers and ticket halls.

The prismatic disc used provides the luminaire a protection rating of IP 40. This protects the optical control elements inside the luminaire from the accumulation of dirt.

**Special versions:**

The luminaires are available in the following special versions in response to customer request and against a surcharge:

- Non-standard colours according to the RAL colour chart
- Prefitted dimmable electronic ballasts.
- Versions for central or integral emergency operation in maintained or non-maintained mode.



very shallow profile

Voltage 220 - 240 V

Protection class IP 40

Approvals

IP40

TC-D

TC-DEL



### ABDF 330/... SG RP

**Reflector:**

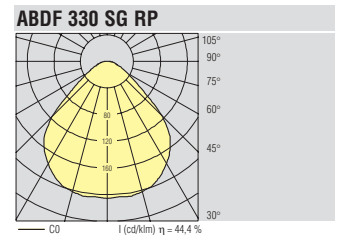
Parabolic reflector made of specular anodised super-purity aluminium. The reflector is fixed in the luminaire housing by means of a quick-fit mechanism. Anodised colour silver.

**Prismatic disc RP:**

Highly transparent, moulded Plexiglas disc with concentrically arranged prismatic rings. Fixed using a fastening screw positioned centrally in the reflector.

**Lighting technology:**

Wide beam light distribution. Good light refraction.



**Quick calculation table (Reflectances: 70/ 50/ 20 )**

E in lux	MH in m	3 x TC-D 18W/21 / 3600 lm Room area in m <sup>2</sup>							
		20	30	40	50	70	80	90	100
300	1,65	7	10	13	16	21	23	26	29
	2,15	8	11	14	17	22	25	28	30
500	2,65	9	12	15	18	23	26	29	32
	1,65	12	17	21	26	34	39	43	47
	2,15	13	18	23	27	37	41	46	50
	2,65	15	20	25	29	38	43	48	53

Maintenance factor: 0,67

►► Lighting data: [www.ridi.de](http://www.ridi.de)

Model	Lamps	Lampholder	Dimensions [mm]			Weight [kg]	Prod. code with VVG	Prod. code with EVG
			D <sub>1</sub>	A <sub>1</sub>	H <sub>1</sub>			
ABDF 330/218 SG RP	2xTC-D/18 W	G 24 d-2	360	200	95	2,3	0310408	
ABDF 330/226 SG RP	2xTC-D/26 W	G 24 d-3	360	200	95	3,4	0310409	
ABDF 330/318 SG RP	3xTC-D/18 W	G 24 d-2	360	200	95	2,7	0310410	
ABDF 330/218 SG RP-EVG	2xTC-DEL/18 W	G 24 q-2	360	200	95	2,7		0320408
ABDF 330/226 SG RP-EVG	2xTC-DEL/26 W	G 24 q-3	360	200	95	2,7		0320409
ABDF 330/318 SG RP-EVG	3xTC-DEL/18 W	G 24 q-2	360	200	95	2,8		0320410



## ABDF 330/... W RP

### Reflector:

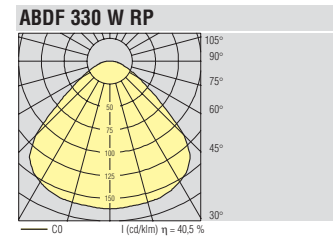
Parabolic aluminium reflector, white powder coated. The reflector is fixed in the luminaire housing by means of a quick-fit mechanism.

### Prismatic disc RP:

Highly transparent, moulded Plexiglas disc with concentric prismatic rings. Fixed using a fastening screw positioned centrally in the reflector.

### Lighting technology:

Diffuse LOR. Good refraction of the luminous flux.



**Quick calculation table (Reflectances: 70/ 50/ 20 )**

E in lux	MH in m	3 x TC-D 18W/21 / 3600 lm							
		Room area in m²							
		20	30	40	50	70	80	90	100
300	1,65	8	11	14	17	23	26	29	32
	2,15	9	12	15	19	25	28	31	34
	2,65	10	14	17	20	26	29	32	35
500	1,65	13	18	24	29	38	43	48	52
	2,15	15	20	25	31	41	46	51	56
	2,65	17	22	28	33	43	48	53	59

Maintenance factor: 0,67

►► Lighting data: [www.ridi.de](http://www.ridi.de)

Model	Lamps	Lampholder	Dimensions [mm]			Weight [kg]	Prod. code with VVG	Prod. code with EVG
			D <sub>1</sub>	A <sub>1</sub>	H <sub>1</sub>			
ABDF 330/218 W RP	2xTC-D/18 W	G 24 d-2	360	200	95	2,3	0310412	
ABDF 330/226 W RP	2xTC-D/26 W	G 24 d-3	360	200	95	3,4	0310413	
ABDF 330/318 W RP	3xTC-D/18 W	G 24 d-2	360	200	95	2,7	0310414	
ABDF 330/218 W RP-EVG	2xTC-DEL/18 W	G 24 q-2	360	200	95	2,7		0320412
ABDF 330/226 W RP-EVG	2xTC-DEL/26 W	G 24 q-3	360	200	95	2,7		0320413
ABDF 330/318 W RP-EVG	3xTC-DEL/18 W	G 24 q-2	360	200	95	2,9		0320414

