

Wall luminaire series ABL ...

Luminaire housing: Edged steel luminaire housing, white powder coated, with fixings for the shade.

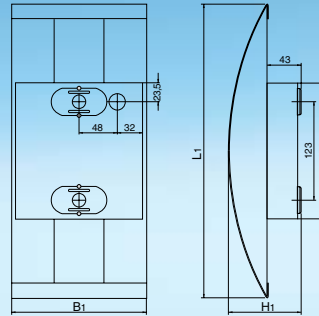
Electrical equipment:

- Ballasts (KVG, VVG), 230 V, 50 Hz or electronic ballasts (EVG), 220-230 V, 0/50-60 Hz
- Radio interference suppression in accordance with EC directives
- Prepared for parallel power factor correction with accessory 0207799 (see page 666).
- Connector block 3x2.5 mm²

Application: Luminaires of the ABL series are used in preference for wall lighting in corridors and foyers.

The extremely low profile luminaire with its pleasing design blends ideally into any room design.

Lighting engineering: Extremely wide beam light distribution, ensuring good illumination of the walls.



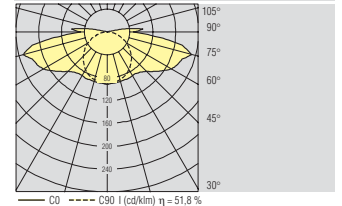
Voltage	230V/50Hz
Protection class	IP 20
Approvals	



ABL ... W
Shade W

Perforated steel shade, white powder coated, lined with opal plastic foil hiding the lamp from direct view. Diffuse light distribution.

ABL 209 W



Quick calculation table (Reflectances: 70/ 50/ 20)

E in lux	MH in m	Room area in m ²							
		20	30	40	50	70	80	90	100
300	1,65	28	38	47	55	72	80	88	96
	2,15	33	43	53	62	81	89	98	106
	2,65	38	49	60	70	89	98	108	117
500	1,65	46	62	77	92	119	133	146	159
	2,15	55	71	88	104	134	148	163	177
	2,65	63	82	99	116	148	164	179	194

Maintenance factor: 0,67

Lighting data: www.ridi.de

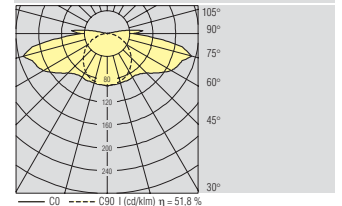
Model	Lamps	Dimensions [mm]			Weight [kg]	Prod. code with KVG	Prod. code with EVG
		L ₁	B ₁	H ₁			
ABL 209 W	2xTC/9 W	336	170	91	1,6	0400184	
ABL 116 W	1xTC-DD/16 W	336	170	91	1,5	0400185	
ABL 121 W	1xTC-DD/21 W	336	170	91	1,5	0400183	
ABL 209 W-EVG	2xTC-EL/9 W	336	170	91	1,3		0420184
ABL 116 W-EVG	1xTC-DDEL/16 W	336	170	91	1,3		0420185



ABL ... LBE
Shade LBE

Luminaire shade made of perforated stainless steel, lined with opal plastic foil hiding the lamp from direct view. Diffuse light distribution.

ABL 209 LBE



Quick calculation table (Reflectances: 70/ 50/ 20)

E in lux	MH in m	Room area in m ²							
		20	30	40	50	70	80	90	100
300	1,65	28	38	47	55	72	80	88	96
	2,15	33	43	53	62	81	89	98	106
	2,65	38	49	60	70	89	98	108	117
500	1,65	46	62	77	92	119	133	146	159
	2,15	55	71	88	104	134	148	163	177
	2,65	63	82	99	116	148	164	179	194

Maintenance factor: 0,67

Lighting data: www.ridi.de

Model	Lamps	Dimensions [mm]			Weight [kg]	Prod. code with KVG	Prod. code with EVG
		L ₁	B ₁	H ₁			
ABL 209 LBE	2xTC/9 W	336	170	91	1,6	0400179	
ABL 116 LBE	1xTC-DD/16 W	336	170	91	1,5	0400180	
ABL 121 LBE	1xTC-DD/21 W	336	170	91	1,5	0400181	
ABL 209 LBE-EVG	2xTC-EL/9 W	336	170	91	1,3		0420179
ABL 116 LBE-EVG	1xTC-DDEL/16 W	336	170	91	1,3		0420180