

Floor standing luminaire AIDA-S 255 SM/SG, AIDA-S 255-SM/SG-TI titanium coloured, direct/indirect distribution

Reflector housing: Direct/indirect distribution, made of steel. Welded, inset end caps, white or titanium colour powder coated. Prefitted reflectors made of high-reflectance super-purity aluminium for wide indirect distribution. Louvre for direct component.

Base: Rectangular metal base, painted dark grey. Column made of extruded aluminium with flange-mounted double tubular stem, powder coated in the luminaire colour.

Electrical equipment:

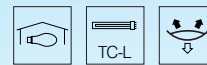
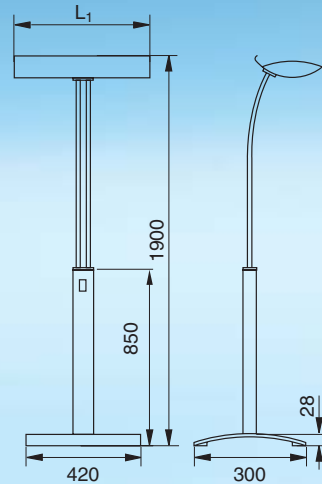
- Electronic ballast (EVG), 220-240 V, 0/50-60 Hz
- Radio interference suppression in accordance with EC directives
- Pre-installed switch
- 2.5 m long connecting cable with earthed plug

Special model:

- Special colours in response to customer request in accordance with the RAL colour chart
- Plexiglas cover for indirect light

Application:

For indirect lighting of rooms and workplace lighting with a direct, asymmetric lighting component provided by a parabolic mirror louvre.



Voltage	230V/50Hz
Protection class	IP 20
acc. to VDE 0711 / 0875	

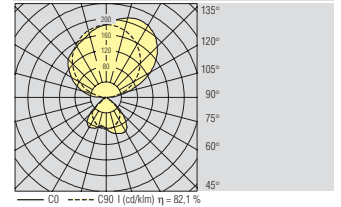


**AIDA-S ... SM
AIDA-S ... SM-TI**

Matt parabolic mirror louvre SM

Louvre with matching, parabolically formed longitudinal reflectors and cross-blades made of high-reflectance, silk matt anodised super-purity aluminium (99,95%) interference-free. Asymmetric distribution.

AIDA S 255 SM



Quick calculation table (Reflectances: 70/ 50/ 20)

E in lux	MH in m	2 x TC-L 55W/21 / 9600 lm									
		Room area in m²									
		20	30	40	50	70	80	90	100		
300	1,65	3	4	5	6	7	8	9	9		
	2,15	4	4	5	6	8	9	10	10		
	2,65	4	5	6	7	9	10	10	11		
500	1,65	5	6	8	9	11	13	14	15		
	2,15	6	7	9	10	13	14	15	17		
	2,65	7	8	10	11	14	16	17	18		

Maintenance factor: 0,67

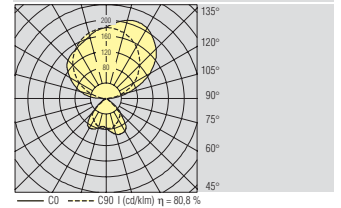
Lighting data: www.ridi.de

**AIDA-S ... SG
AIDA-S ... SG-TI**

Specular parabolic mirror louvre SG

Louvre with matching, parabolically formed longitudinal reflectors and cross-blades made of high-reflectance, specular anodised super-purity aluminium (99,95%) interference-free. Asymmetric distribution.

AIDA S 255 SG



Quick calculation table (Reflectances: 70/ 50/ 20)

E in lux	MH in m	2 x TC-L 55W/21 / 9600 lm									
		Room area in m²									
		20	30	40	50	70	80	90	100		
300	1,65	3	4	5	6	7	8	9	9		
	2,15	4	5	5	6	8	9	10	10		
	2,65	4	5	6	7	9	10	11	11		
500	1,65	5	6	8	9	12	13	14	15		
	2,15	6	7	9	10	13	14	16	17		
	2,65	7	8	10	11	14	16	17	19		

Maintenance factor: 0,67

Lighting data: www.ridi.de

Model	Lamps	Lampholder	Dimensions [mm]		Weight [kg]	Prod. code with EVG
			L ₁			
AIDA-S 255 SM-EVG	2xTC-L/55 W	2 G 11		650	12,5	0620819
AIDA-S 255 SG-EVG	2xTC-L/55 W	2 G 11		650	12,5	0620818
AIDA-S 255 SM-TI-EVG	2xTC-L/55 W	2 G 11		650	12,5	0620819TI
AIDA-S 255 SG-TI-EVG	2xTC-L/55 W	2 G 11		650	12,5	0620818TI