

## Surface mounted emergency luminaire series ALE-NLW ... for T16 (T5) lamps

**Luminaire housing:** Strong luminaire housing with particularly scratch-resistant white powder coated finish with multi-function end pieces for mounting lamp holders and decorative ends. Cover in white painted sheet steel with frame for pictograms. Lamp type T16/8W.

### Electrical equipment:

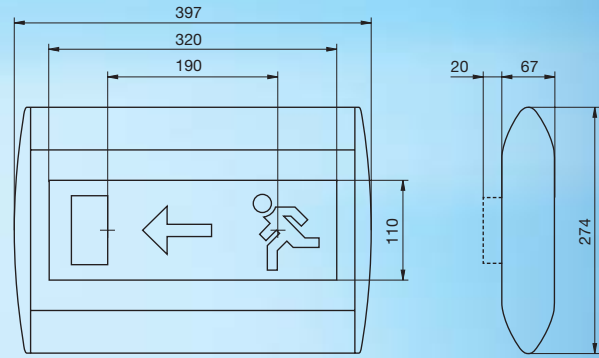
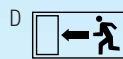
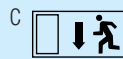
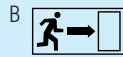
- Inverter with battery set, operation for the number of hours indicated in the table
- ALE-NLW ... M: Maintained operation
- ALE-NLW ... NM: Non-maintained operation
- Connector block 3x2.5 mm<sup>2</sup>
- Prefitted high-temperature battery

Versions with self-test (-S) and self-test and check-back signal (-SRM) are available on request.

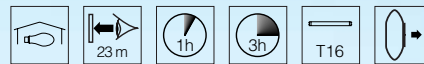
### Safety sign:

Pictogramm made of plastic foil, self-adhesive.

Sign type: The sign type is included in the product name (e.g. ALE-NLW 108 B... with sign type B)



Voltage	230V/50Hz
Protection class	IP 40
For systems in accordance with VDE 0108/prEN 50172	



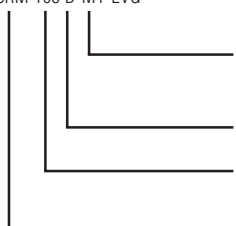
### ALE-NLW ...

Version with inverter in maintained or non-maintained operation mode without automatic test. Monitoring of the charging function by means of LED.

Model	Lamps	Dimensions [mm]			Operating time [h]	Weight [kg]	Recognition distance [m]*	Prod. code with EVG
		L	B	H				
ALE-NLW 108 B-M1-EVG	1xT16/8 W	397	274	67	1	2,7	23	0626483
ALE-NLW 108 C-M1-EVG	1xT16/8 W	397	274	67	1	2,7	23	0626484
ALE-NLW 108 D-M1-EVG	1xT16/8 W	397	274	67	1	2,7	23	0626485
ALE-NLW 108 B-M3-EVG	1xT16/8 W	397	274	67	3	2,9	23	0626486
ALE-NLW 108 C-M3-EVG	1xT16/8 W	397	274	67	3	2,9	23	0626487
ALE-NLW 108 D-M3-EVG	1xT16/8 W	397	274	67	3	2,9	23	0626488
ALE-NLW 108 B-NM1-EVG	1xT16/8 W	397	274	67	1	2,7	23	0626489
ALE-NLW 108 C-NM1-EVG	1xT16/8 W	397	274	67	1	2,7	23	0626490
ALE-NLW 108 D-NM1-EVG	1xT16/8 W	397	274	67	1	2,7	23	0626491
ALE-NLW 108 B-NM3-EVG	1xT16/8 W	397	274	67	3	2,9	23	0626492
ALE-NLW 108 C-NM3-EVG	1xT16/8 W	397	274	67	3	2,9	23	0626493
ALE-NLW 108 D-NM3-EVG	1xT16/8 W	397	274	67	3	2,9	23	0626494

\* Recognition distance in accordance with DIN 4844

Ordering example: ALE-NLW-SRM 108 B-M1-EVG



Operation mode

- M1: Maintained operation, 1 h
- M3: Maintained operation, 3 h
- NM1: Non-maintained operation, 1 h
- NM3: Non-maintained operation, 3 h

Pictograms  
B, C, D

Lamps

- : Emergency luminaire without self-test
- S: Emergency luminaire with self-test\*\*
- SRM: Emergency luminaire with self-test and addressable\*\*

\*\*Available on request