

Recessed wall luminaire series EBWF-LED ...

Luminaire housing: Made of matt anodised aluminium, with peripheral rim and mounting frame in white painted steel.

Electrical equipment:

- Pre-fitted LED element with 8 LEDs in the colours indicated in the table.
- Terminal block 2 x 1,5 mm²

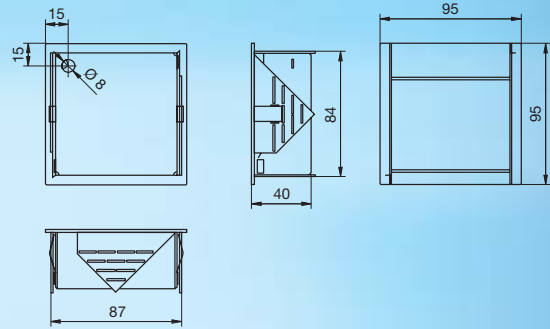
Reflector: Made of anodised aluminium with ribbed surface.

Accessories:

- EBWF-LED TR, electronic transformer for LED operation.
- EBWF-LED R, faceplate with panel

Installation:

Installed into mounting apertures and fixed in the mounting frame using fixing springs.



Voltage	230V ac/12V dc
Protection class	IP 20
Insul. class	III

WS BL GR GL RT



EBWF-LED 8 ..

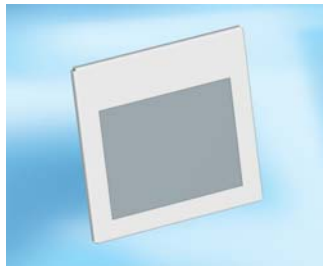
Model	Lamps	Dimensions [mm]			Weight [kg]	Color	Prod. code
		L	B	H			
EBWF-LED 8 WS	8xLED/0,125 W	95	95	40	0,17	white	0827360
EBWF-LED 8 BL	8xLED/0,125 W	95	95	40	0,17	blue	0827361
EBWF-LED 8 GR	8xLED/0,125 W	95	95	40	0,17	green	0827362
EBWF-LED 8 GL	8xLED/0,125 W	95	95	40	0,17	yellow	0827363
EBWF-LED 8 RT	8xLED/0,125 W	95	95	40	0,17	red	0827366

Accessories

Faceplate with panel EBWF-LED R:

Faceplate made of aluminium with a Plexiglas panel can be additionally mounted at the EBWF-LED ...

Protection class IP40 with this accessory.



Model	Description	Prod. code
EBWF-LED R	For EBWF-LED 8	0207142

Electronic transformer EBWF-LED TR:

EBWF-LED TR:

Transformer with mains terminal block and cable strain relief. Required for operation of the EBWF-LED ...



Model	Description	Prod. code
EBWF-LED TR	Electronic transformer 230/12-10, max. 12 W, 10V	0207143

