

## Diffuser luminaire series EK ...

**Luminaire housing:** Deep drawn torsion resistant steel housing, white powder-coated. Sprung steel catches for fixture of the diffuser.

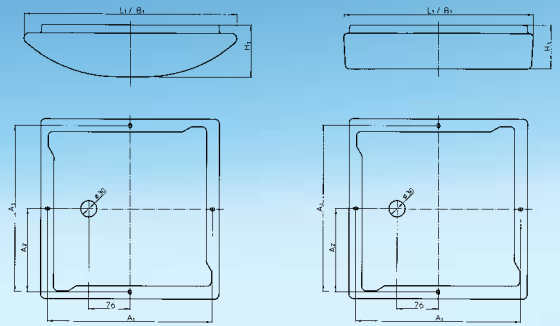
**Electrical equipment:**

- Ballasts (KVG / VVG) 230 V, 50 Hz.
- Radio interference suppression in accordance with EC directives
- Connector block 3x2.5 mm<sup>2</sup>
- Prepared for parallel power factor correction with accessory 0207799 (see page 666).
- Emergency light can be prefitted on request

**Non-standard versions:**

The following non-standard versions are available in response to customer request and against a surcharge:

- Prefitted electronic ballasts
- Prefitted emergency lampholders
- Prefitted emergency light kits in maintained or non-maintained operation
- Prefitted electronic ballast and switch-over relay for an emergency supply 220V, e.g. central battery system in maintained operation
- Prefitted inverter single battery system in non-maintained or maintained operation.



Voltage	230V/50Hz
Protection class	IP 40
Approvals	

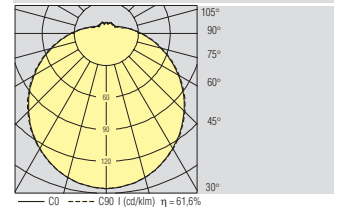


### EK ... H

#### Opal diffuser H

Convex cover diffuser drawn from opal Plexiglas. Diffuse light distribution. For replacement diffusers, see page 590.

#### EK 330/136 H



Quick calculation table (Reflectances: 70/ 50/ 20 )

E in lux	MH in m	Room area in m <sup>2</sup>																
		20	30	40	50	70	80	90	100									
300	1,65	9	13	16	19	24	27	30	33	2,15	11	14	17	21	27	30	33	36
	2,65	12	16	19	23	29	32	36	39	1,65	15	21	26	31	40	45	50	54
500	2,15	18	23	29	34	44	49	54	59	2,65	20	27	32	37	48	54	59	64

Maintenance factor: 0.67

Lighting data: [www.ridi.de](http://www.ridi.de)

Model	Lamps	Dimensions [mm]					Weight [kg]	Prod. code with KVG	Prod. code with VVG	Prod. code with EVG
		L <sub>1</sub>	B <sub>1</sub>	H <sub>1</sub>	A <sub>1</sub>	A <sub>2</sub>				
EK 330/211 H	2xTC/11W	376	376	95	307	153	2	0400520		0420520
EK 330/218 H	2xTC-D/18W	376	376	95	307	153	2		0410521	0420521
EK 330/136 H	1xTC-F/36W	376	376	95	307	153	2,5		0410522	0420522
EK 330/132 H	1xT-R/32W	376	376	95	307	153	2,5	0400523		
EK 330/139 H	1xT-R16/40W	376	376	95	307	153	2			0420524

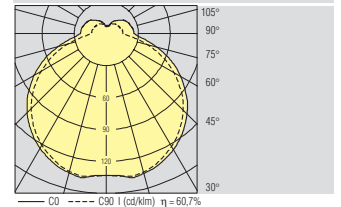


### EK ... Z

#### Opal diffuser Z

Shallow one piece cylindrical diffuser cover made of opal acrylic (Plexiglas). Diffuse light distribution. For replacement diffusers, see page 590.

#### EK 330/218 Z



Quick calculation table (Reflectances: 70/ 50/ 20 )

E in lux	MH in m	Room area in m <sup>2</sup>																
		20	30	40	50	70	80	90	100									
300	1,65	11	15	19	22	29	33	36	39	2,15	13	17	21	25	32	36	39	43
	2,65	15	19	23	27	35	39	43	46	1,65	18	25	31	37	48	54	60	65
500	2,15	21	28	34	41	53	59	65	71	2,65	24	32	38	45	58	64	71	77

Maintenance factor: 0.67

Lighting data: [www.ridi.de](http://www.ridi.de)

Model	Lamps	Dimensions [mm]					Weight [kg]	Prod. code with KVG	Prod. code with VVG	Prod. code with EVG
		L <sub>1</sub>	B <sub>1</sub>	H <sub>1</sub>	A <sub>1</sub>	A <sub>2</sub>				
EK 330/211 Z	2xTC/11W	340	340	95	307	153	2	0400530		0420530
EK 330/218 Z	2xTC-D/18W	340	340	95	307	153	2		0410531	0420531
EK 330/136 Z	1xTC-F/36W	340	340	95	307	153	2,5		0410532	0420532
EK 330/132 Z	1xT-R/32W	340	340	95	307	153	2,5	0400533		
EK 330/139 Z	1xT-R16/40W	340	340	95	307	153	2			0420534