

Display light HRLS 480 SMB/...-HIE / HRLS 480 SMT/...-HIE

Luminaire housing: Made of die-cast aluminium in two parts, silver grey powder coated. Seals between the upper and lower part of the housing and quick-action clamps to comply with the protection class. Two cable glands PG 13.5 for mains connection. The housing accommodates all electrical gear such as the ballast, igniter, capacitor and height-adjustable lampholder. Fixing hooks at the top of the housing.

Trim disc HRLS VS ...

Toughened glass disc with fixings and silicon seal to ensure protection rating compliance.

Electrical equipment:

- Magnetic ballast 230 V, 50 Hz
- Screw-type connector block 3x10 mm²
- Power factor correction capacitor
- Radio interference suppression in accordance with EC directives
- Prefitted igniter.

Accessories:

Protective grille

H HRLS SG ..., Protective grille

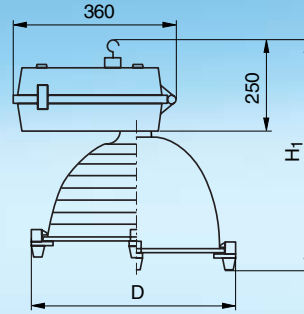
Auxiliary light

U HRLS NL 480, auxiliary light for use during warm-up period

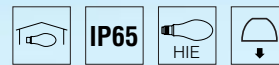
For a detailed description of accessories see page 561 to 563.

Mounting:

Chain hook fixed to the top of the housing. Other fixing accessories to be provided on site.



Voltage	220 - 240 V
Protection class	IP65
Approvals	

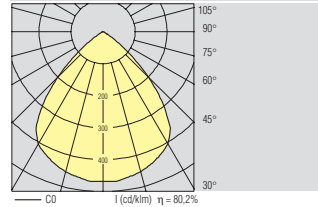


HRLS ... SMB/...-HIE

Reflector SMB:

Parabolic reflector made of anodised super-purity aluminium with satin surface finish. Wide-beam light distribution.

HRLS 480 SMB/250-HIE



Quick calculation table (Reflectances: 70/ 50/ 20)		1 x HIE 250 W / 17000 lm									
E in lux	MH in m	Room area in m ²									
		20	30	40	50	70	80	90	100		
300	1,65	1	1	2	2	2	3	3	3	3	3
	2,15	1	1	2	2	3	3	3	3	3	3
	2,65	1	2	2	2	3	3	3	3	3	3
500	1,65	2	2	2	3	4	4	4	5	5	5
	2,15	2	2	3	3	4	4	4	5	5	5
	2,65	2	2	3	3	4	4	4	5	5	5

Maintenance factor: 0.8

Lighting data: www.ridi.de

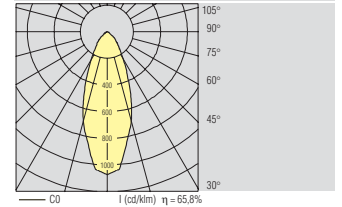


HRLS ... SMT/...-HIE

Reflector SMT:

Parabolic reflector made of anodised super-purity aluminium, with satin surface finish. Narrow-beam light distribution.

HRLS 480 SMT/250-HIE



Quick calculation table (Reflectances: 70/ 50/ 20)		1 x HIE 250 W / 17000 lm									
E in lux	MH in m	Room area in m ²									
		20	30	40	50	70	80	90	100		
300	1,65	1	2	2	2	3	3	3	4	4	4
	2,15	1	2	2	2	3	3	3	4	4	4
	2,65	1	2	2	2	3	3	3	4	4	4
500	1,65	2	2	3	3	4	5	5	6	6	6
	2,15	2	2	3	3	4	5	5	6	6	6
	2,65	2	2	3	3	4	5	5	6	6	6

Maintenance factor: 0.8

Lighting data: www.ridi.de

Model	Lamps	Lampholder	Dimensions [mm]		Weight [kg]	Usable accessories H U	Prod. code with KVG
			D	H ₁			
HRLS 480 SMB/250-HIE	1xHIE/250 W	E40	540	600	7,2	• •	0300520
HRLS 480 SMB/400-HIE	1xHIE/400 W	E40	540	600	8,0	• •	0300522
HRLS 480 SMT/250-HIE	1xHIE/250 W	E40	540	585	7,2	• •	0300521
HRLS 480 SMT/400-HIE	1xHIE/400 W	E40	540	585	8,0	• •	0300523

