

SQL-WDI K for compact fluorescent lamps

Wall mounted luminaire SQL-WDI K 2.., direct/indirect distribution for compact fluorescent lamps

Luminaire housing: Single luminaire for wall mounting. Rigid luminaire housing made of extruded aluminium sections and cross members, decorative end plates in sheet steel, all luminaire housing components in a highly scratchproof titanium powder coating. The luminaire housing accommodates all of the electrical components.

Wall bracket: Made of extruded aluminium with wall mounting plate and cover in sheet steel, all parts in a titanium coloured powder coated finish. Pre-fitted connector block 3 x 2.5 mm² and plug-in connection to the luminaire housing.

Electrical equipment:

- Electronic ballast 220-240 V, 0/50-60 Hz.
- Radio interference suppression in line with EC directives.
- Connector block 3 x 2.5 mm².

Lamps:

The luminaires can be fitted with TC-L lamps. It is possible to choose between luminaires for fitting with either TC-L 55 W or TC-L 80 W lamps.

Application:

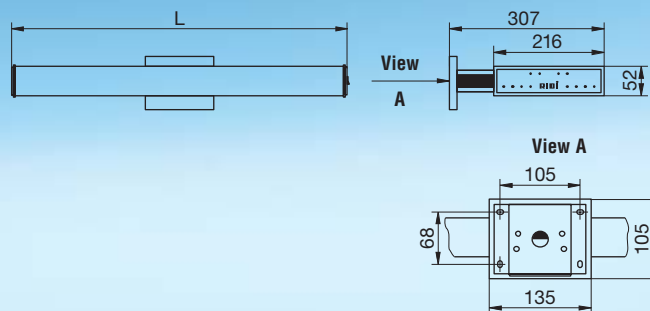
For an economical lighting solution offering both sophisticated design and optimum lighting technology with wall luminaires in administrative offices, seminar rooms, sales showrooms as an addition to pendant or floor standing luminaires. The excellent possibilities offered by the SQL series of using in combination with floor standing and pendant luminaires presents outstanding scope for sophisticated and complex lighting solutions.

Installation:

The wall plate is fitted to the wall using standard commercially available fixing materials, mains connection at the pre-fitted connector block. The luminaire is fixed to the wall bracket and the electrical connection to the housing made using a plug-in connector.

Special versions:

- Non-standard colours if required according to the RAL colour chart.
- Dimmable electronic ballasts (EVG-DIM) pre-fitted for 2 x 55 W.
- Pre-fitted presence detector.
- Pre-fitted photo cell (in conjunction with EVG-DIM).



Voltage	220-240V
Protection class	IP 20
Accord. to VDE 0711 / 0875	

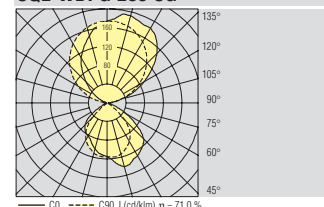


SQL-WDI K 2.. SG-TI-EVG

Specular parabolic louvre SG

Louvre made of parabolic side and cross vanes, produced in plastic, with specular metallic finish and surface protection. Louvre slots into the reflector head. Good optical control and luminance cut-off.

SQL-WDI G 280 SG



►► Lighting data: www.ridi.de

Model	Lamps	Dimensions [mm]		Weight [kg]	Prod. code. with EVG
		L	L		
SQL-WDI K 255 SG-TI-EVG	2xTC-L/55W	665		3,8	0626631T1
SQL-WDI K 280 SG-TI-EVG	2xTC-L/80W	665		3,8	0626630T1

SQL-WDI K for compact fluorescent lamps

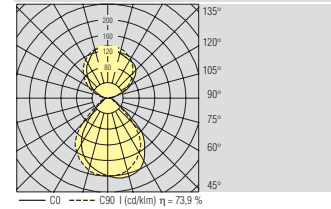


SQL-WDI K 2.. PS-TI-EVG

Prismatic panel PS

Special prismatic panel made of Plexiglas (PMMA), highly transparent and with longitudinal prisms. Extremely good optical control due to optically effective prism structure.

SQL-WDI K 280 PS



►► Lighting data: www.ridi.de

Model	Lamps	Dimensions [mm] L	Weight [kg]	Prod. code. with EVG
SQL-WDI K 255 PS-TI-EVG	2xTC-L/55W	665	3,5	0626633TI
SQL-WDI K 280 PS-TI-EVG	2xTC-L/80W	665	3,5	0626632TI

SQL-WI K for compact fluorescent lamps

Wall mounted luminaire SQL-WI K 2.., indirect distribution for compact fluorescent lamps

Luminaire housing: Single luminaire for wall mounting. Rigid luminaire housing made of extruded aluminium sections and cross members, decorative end plates in sheet steel, all luminaire housing components in a highly scratchproof titanium powder coated finish. The luminaire housing accommodates all of the electrical components.

Wall bracket: Made of extruded aluminium with wall plate and cover in sheet steel, all parts in a titanium coloured powder coated finish. Pre-fitted connector block 3 x 2.5 mm² and plug-in connection to the luminaire housing.

Electrical equipment:

- Electronic ballast 220-240 V, 0/50-60 Hz.
- Radio interference suppression in line with EC directives.
- Connector block 3 x 2.5 mm².

Lamps:

The luminaires can be fitted with TC-L Lamps. It is possible to choose between luminaires for fitting with TC-L 55 W and TC-L 80 W.

Application:

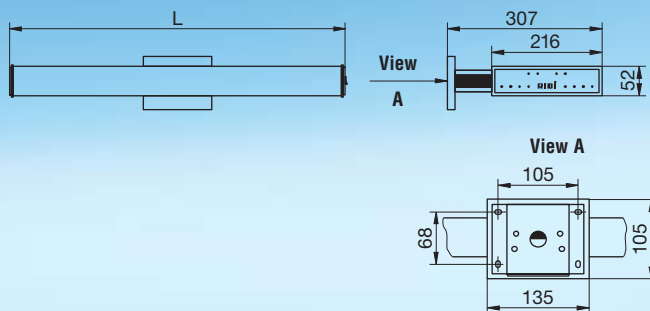
For an economical lighting solution offering both sophisticated design and optimum lighting technology with wall luminaires in administrative offices, seminar rooms, sales showrooms. The excellent possibilities offered by the SQL series of using in combination with floor standing and pendant luminaires presents outstanding scope for sophisticated and complex lighting solutions.

Installation:

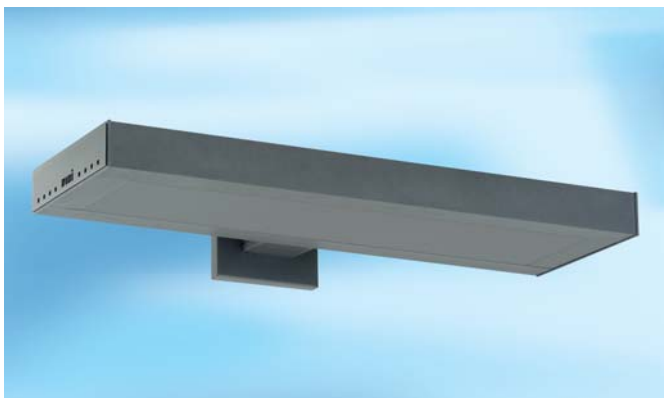
The wall bracket is fixed to the wall using standard commercially available fixing materials, mains connection at the pre-fitted connector block. The luminaire is fixed to the wall bracket and the electrical connection to the luminaire housing made using a plug-in connector.

Special versions:

- Non-standard colours if required according to the RAL colour chart.
- Dimmable electronic ballasts (EVG-DIM) pre-fitted for 2 x 55 W.
- Pre-fitted presence detector.
- Pre-fitted photo cell (in conjunction with EVG-DIM).



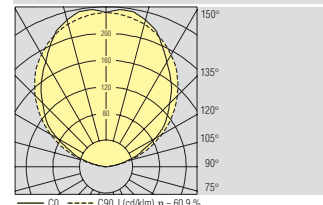
Voltage	220-240V
Protection class	IP 20
Accord. to VDE 0711 / 0875	



SQL-WI K 2.. -TI-EVG

Luminaire with indirect distribution only, underside covered by a blank panel, in titanium coloured powder coated finish.

SQL-WI K 280



Model	Lamps	Dimensions [mm]		Weight [kg]	Prod. code. with EVG
		L	H		
SQL-WI K 255-TI-EVG	2xTC-L/55W	665		3,8	0626635T1
SQL-WI K 280-TI-EVG	2xTC-L/80W	665		3,8	0626634T1